

WEIGHT SHEET

Please complete this form and return to sender. This information is required **prior to initiating a crossing agreement**. Please ensure the form is completed accurately. Incomplete information will result in a delay in issuing the crossing agreement.

Requesting Company:	
Legal Location:	
Requesting Company File #:	
Temporary Crossing Date Required/Duration:	

Please complete all yellow boxes on the following diagrams for all vehicles & equipment you will be crossing with:

TIRED VEHICLES
Vehicle Name, Make & Model
TRACKED VEHICLES
Vehicle Name, Make & Model

Instructions:

When entering data into the weight sheet please ensure that:

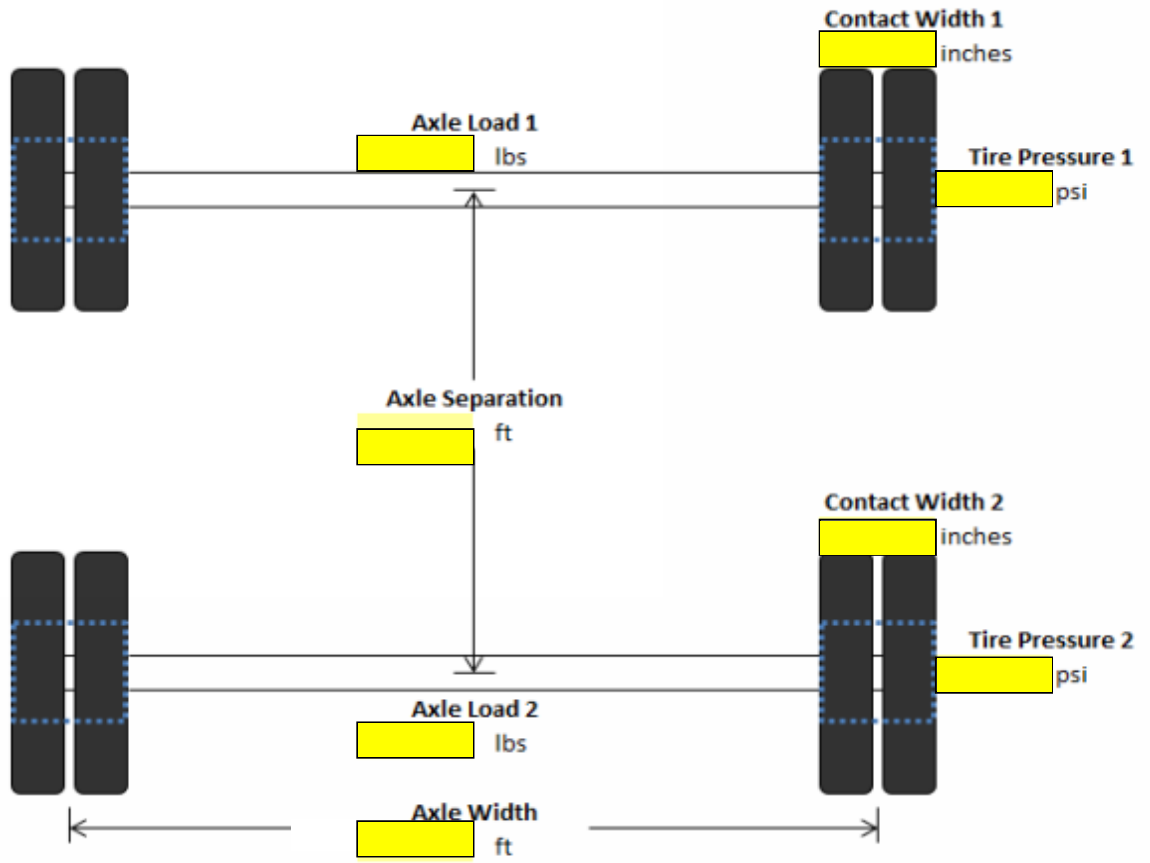
- All fields are complete with data. Please remove blank pages not utilized prior to submission.
- All fields are in the correct units as they are represented within the weight sheet (Imperial/English)
- Data entry does not contain any alphabetic or special characters (kg, /, *, -, etc.)

If a vehicle included within your request is outside of the parameters enabled within the weight sheet, please contact Pembina Land directly.

“You hereby acknowledge and agree that you remain responsible and liable for the accuracy and reliability of all information provided and Pembina Pipeline Corporation and its affiliates assume no responsibility for the verification of such information. You will remain liable and indemnify Pembina Pipeline Corporation and/or its affiliates for any damages incurred as a result of inaccurate data provided that is relied upon by it to complete the surface load assessment. “

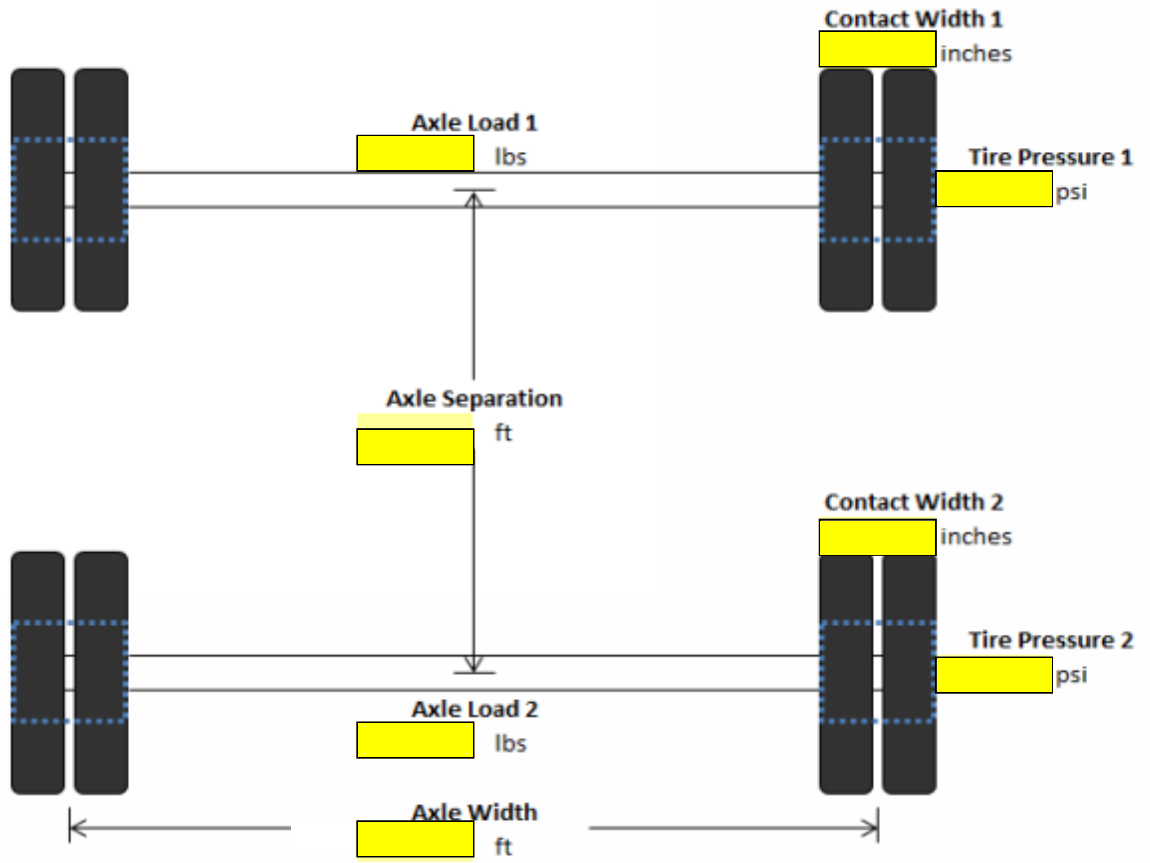
Input for Surface Vehicle Live Load

VEHICLE INFORMATION:	
VEHICLE TYPE:	Wheel: 2-Axles, 4-Wheels



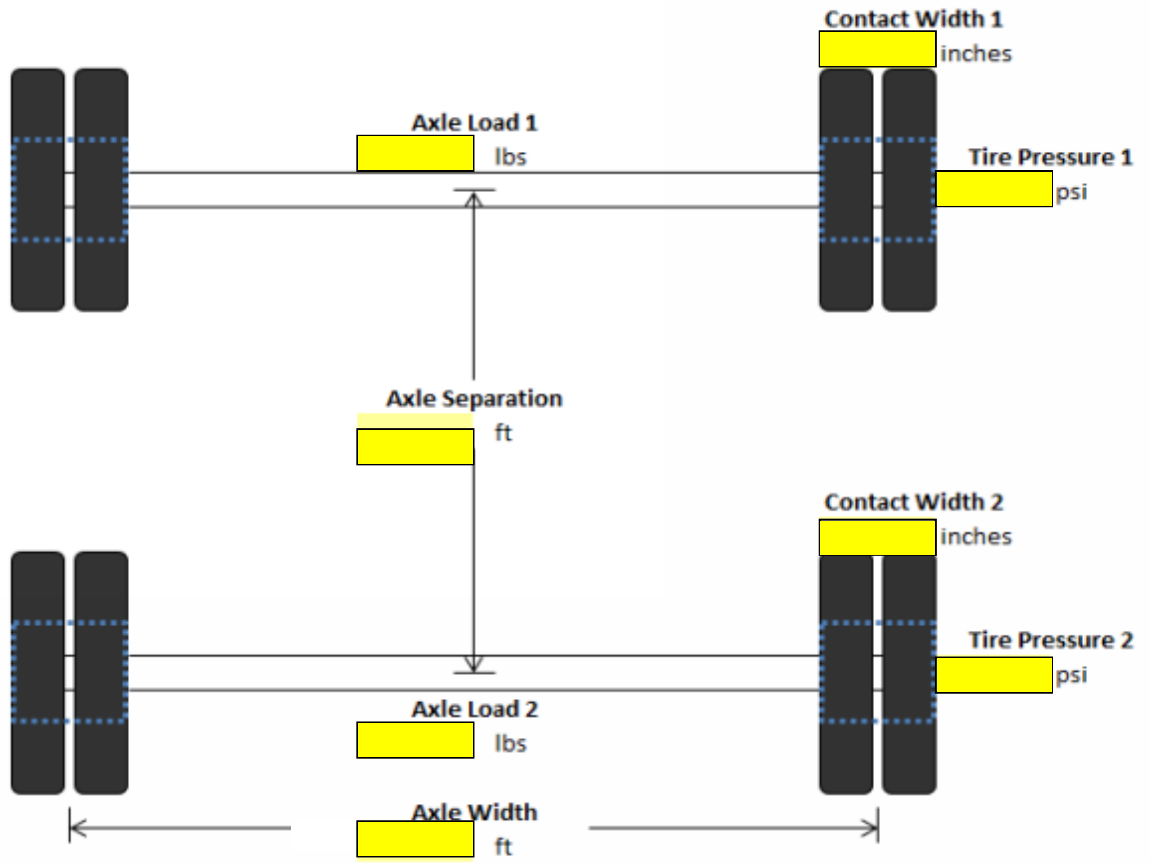
Input for Surface Vehicle Live Load

VEHICLE INFORMATION:	
VEHICLE TYPE:	Wheel: 2-Axles, 4-Wheels



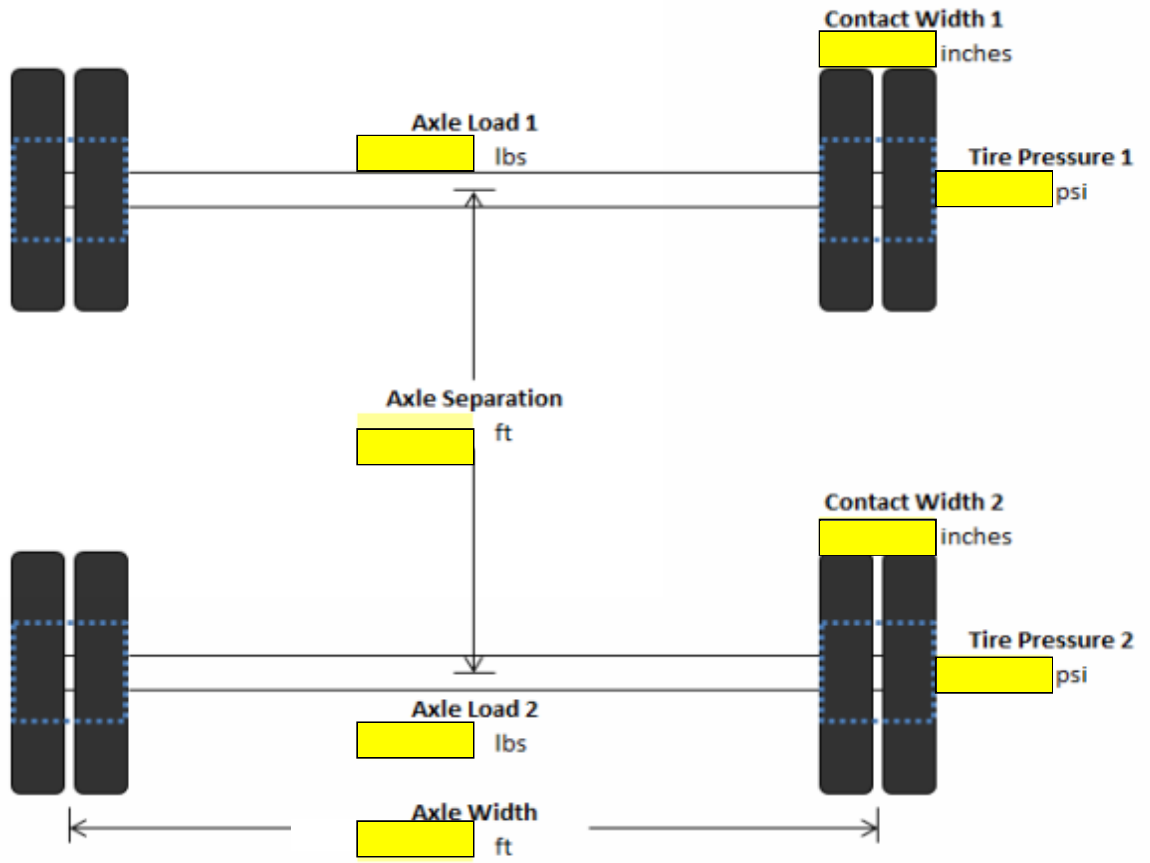
Input for Surface Vehicle Live Load

VEHICLE INFORMATION:	
VEHICLE TYPE:	Wheel: 2-Axles, 4-Wheels



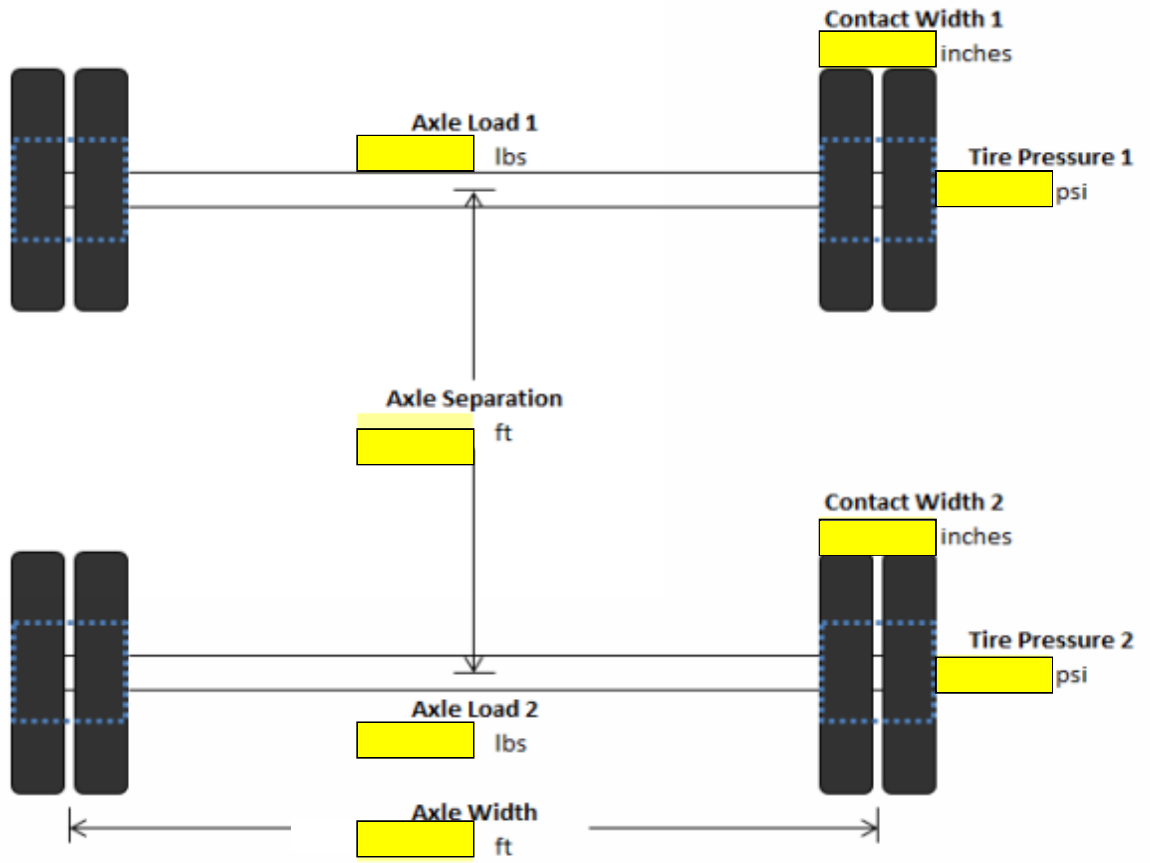
Input for Surface Vehicle Live Load

VEHICLE INFORMATION:	
VEHICLE TYPE:	Wheel: 2-Axles, 4-Wheels



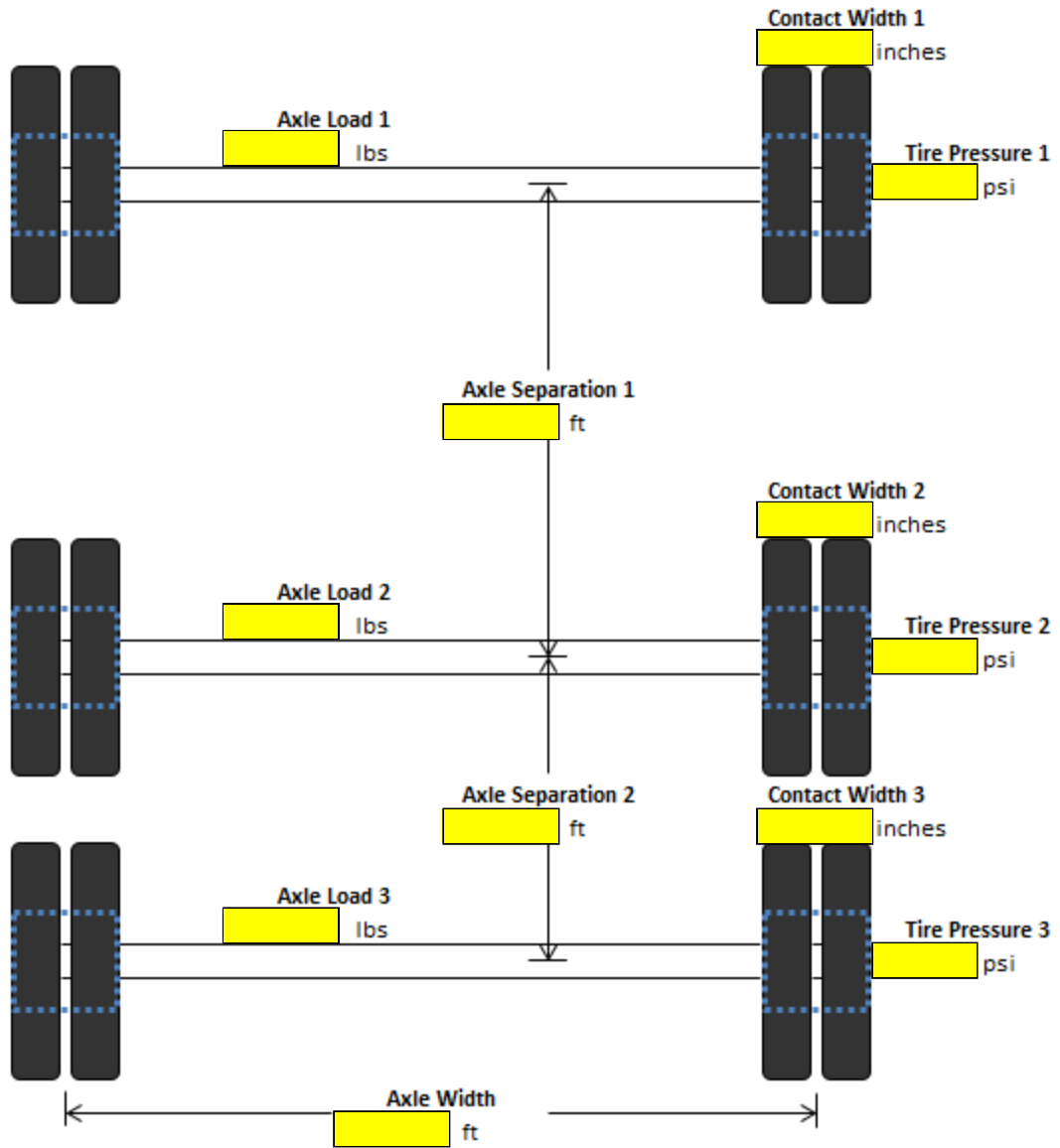
Input for Surface Vehicle Live Load

VEHICLE INFORMATION:	
VEHICLE TYPE:	Wheel: 2-Axles, 4-Wheels



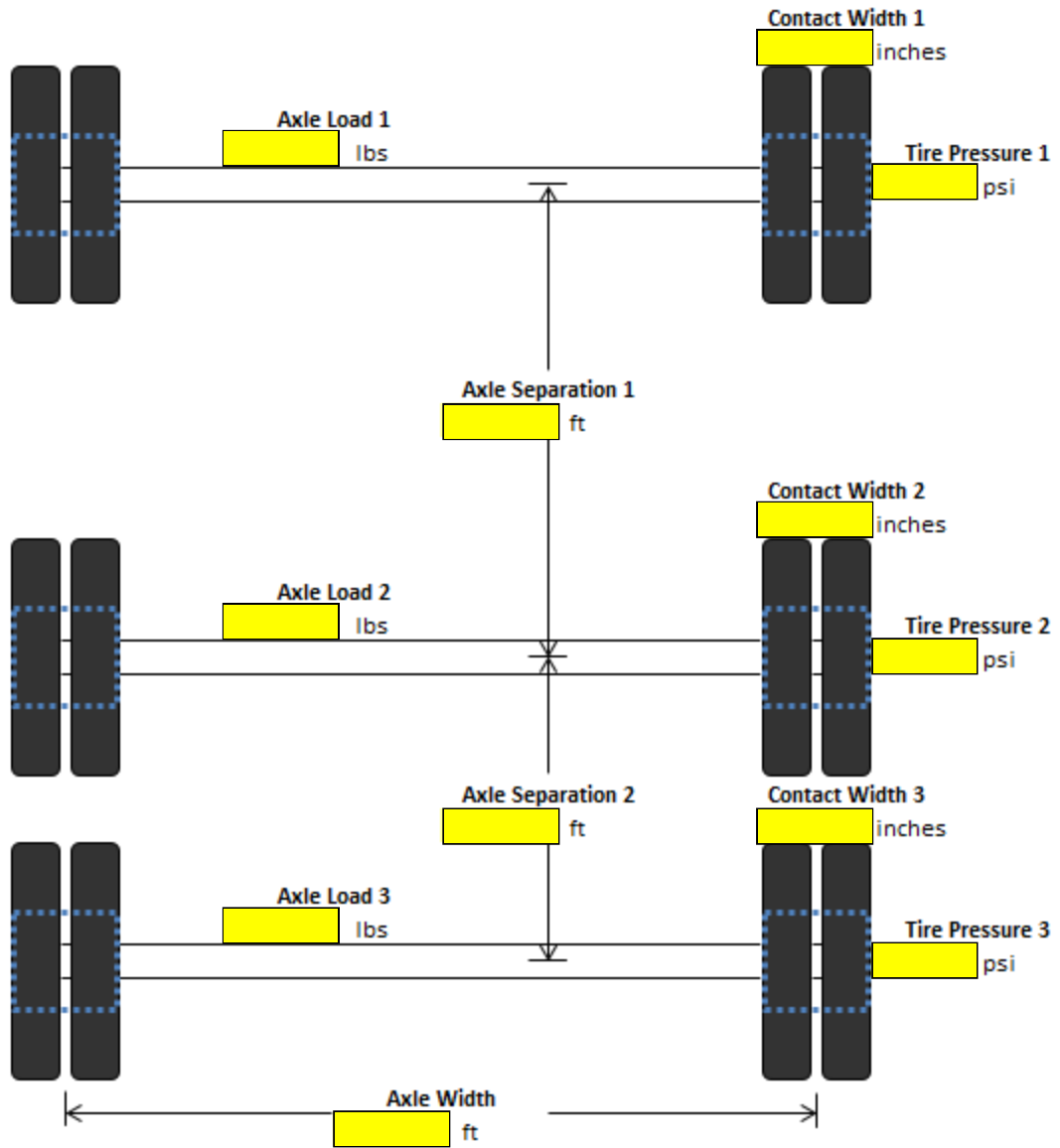
Input for Surface Vehicle Live Load

VEHICLE INFORMATION:	
VEHICLE TYPE:	Wheel: 3-Axles, 6-Wheels



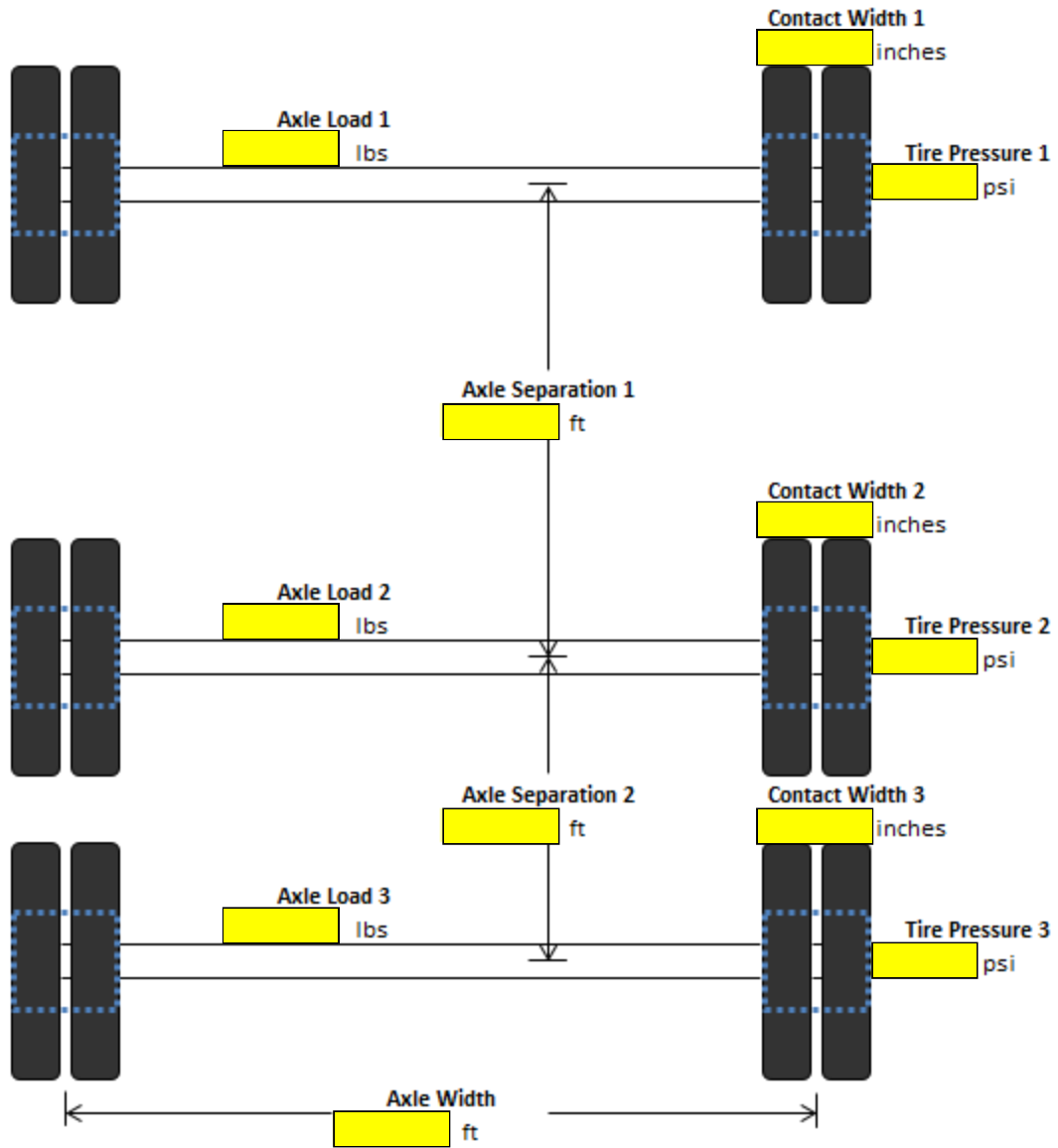
Input for Surface Vehicle Live Load

VEHICLE INFORMATION:	
VEHICLE TYPE:	Wheel: 3-Axles, 6-Wheels



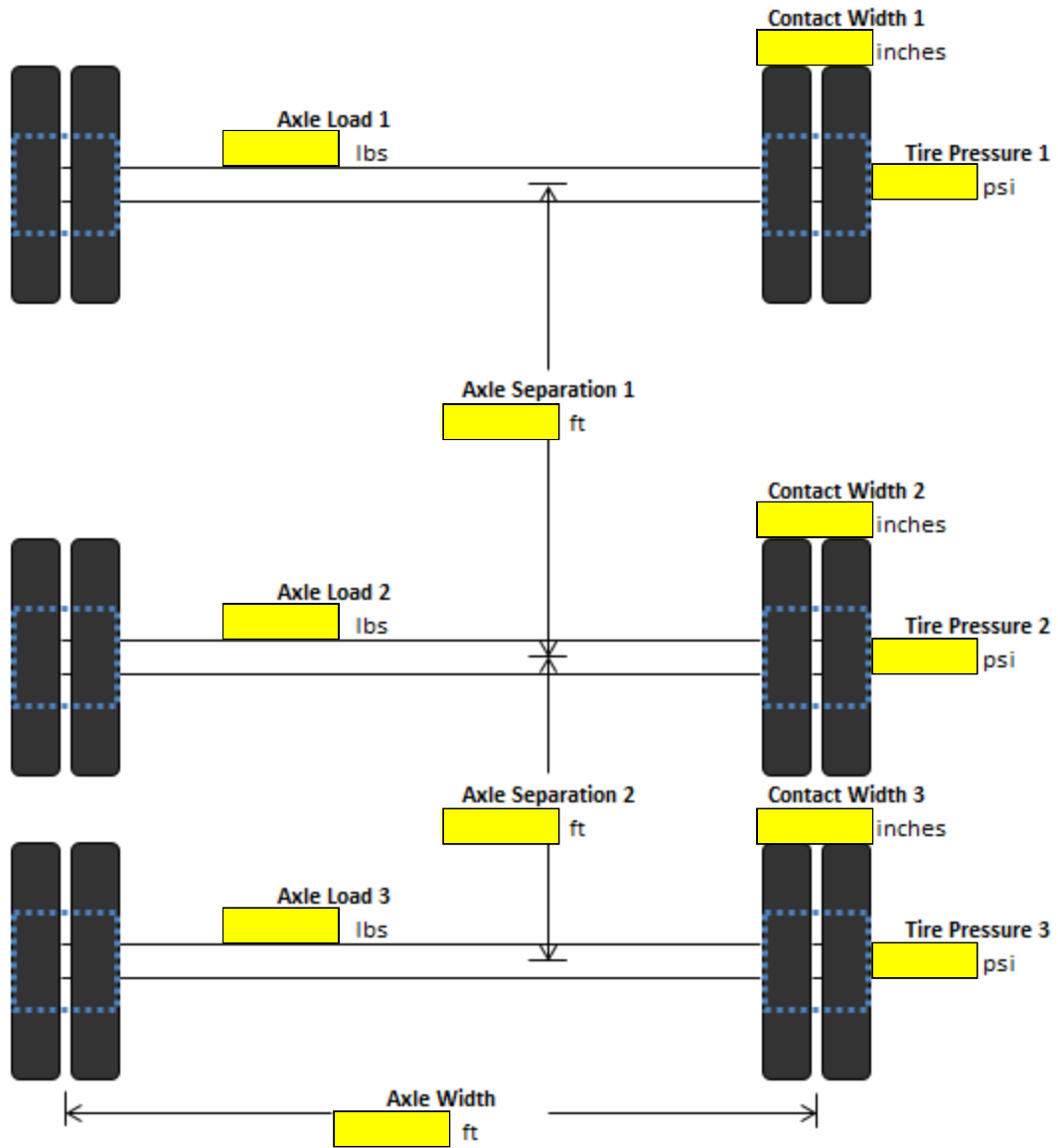
Input for Surface Vehicle Live Load

VEHICLE INFORMATION:	
VEHICLE TYPE:	Wheel: 3-Axles, 6-Wheels



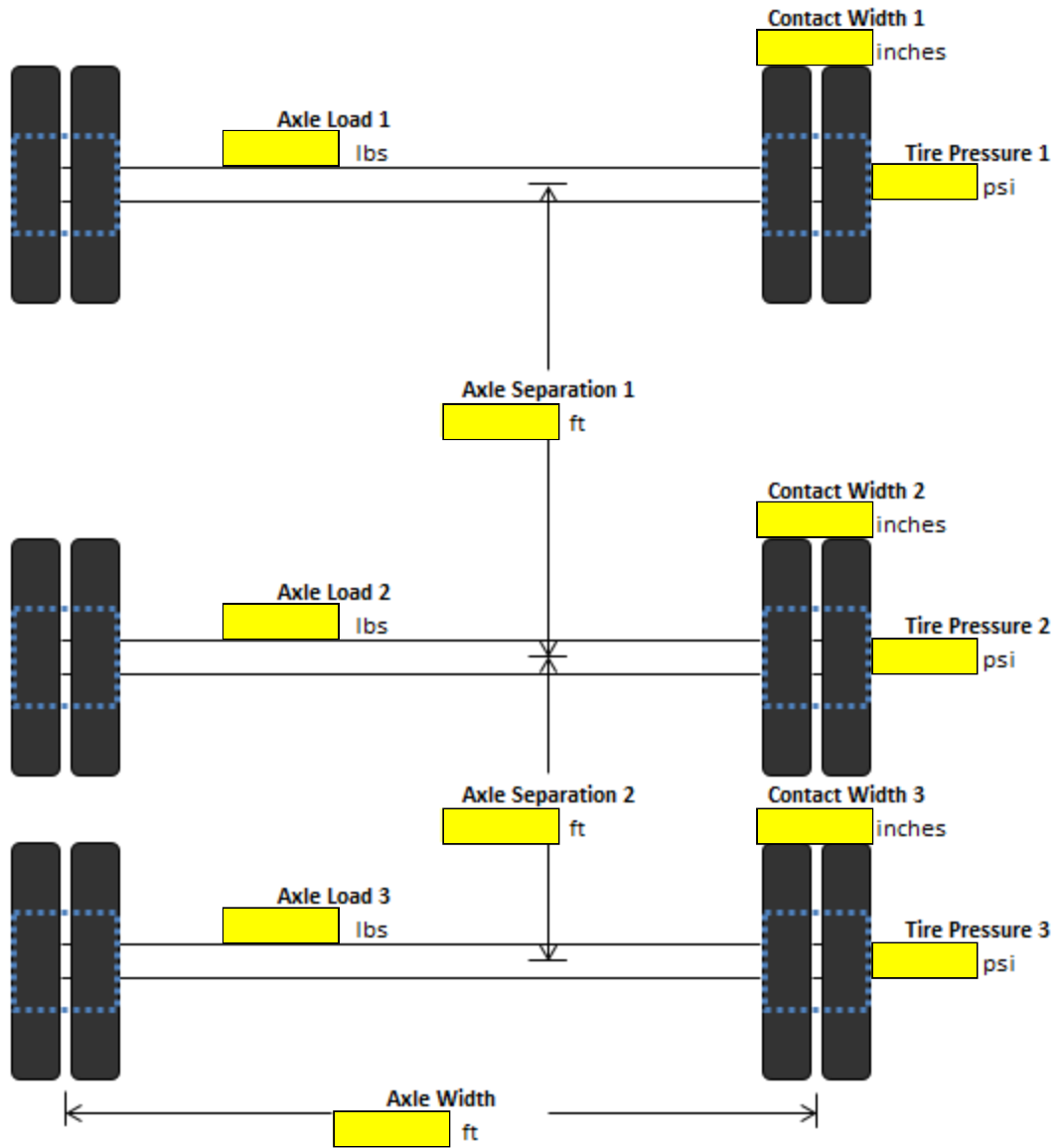
Input for Surface Vehicle Live Load

VEHICLE INFORMATION:	
VEHICLE TYPE:	Wheel: 3-Axles, 6-Wheels

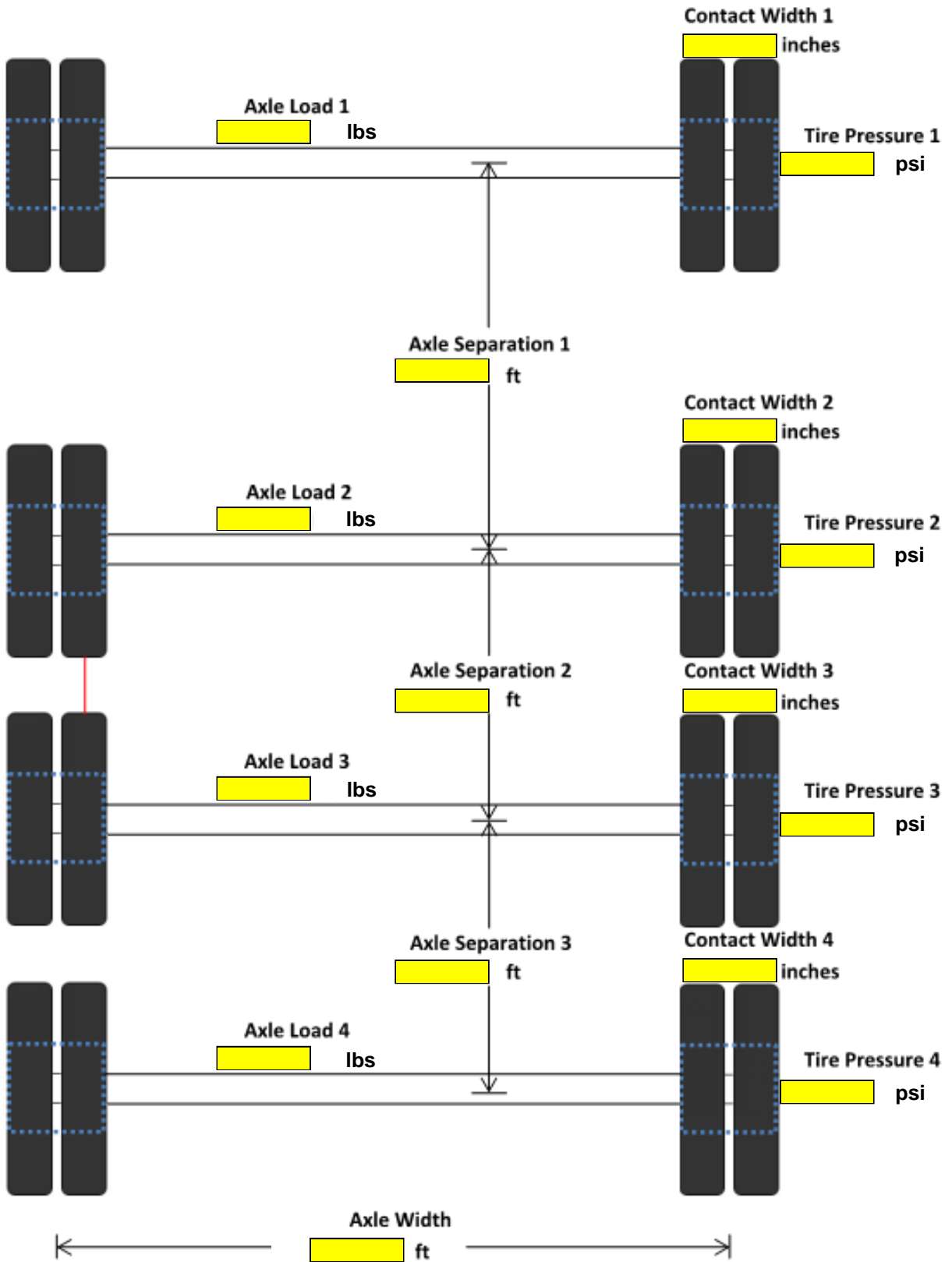


Input for Surface Vehicle Live Load

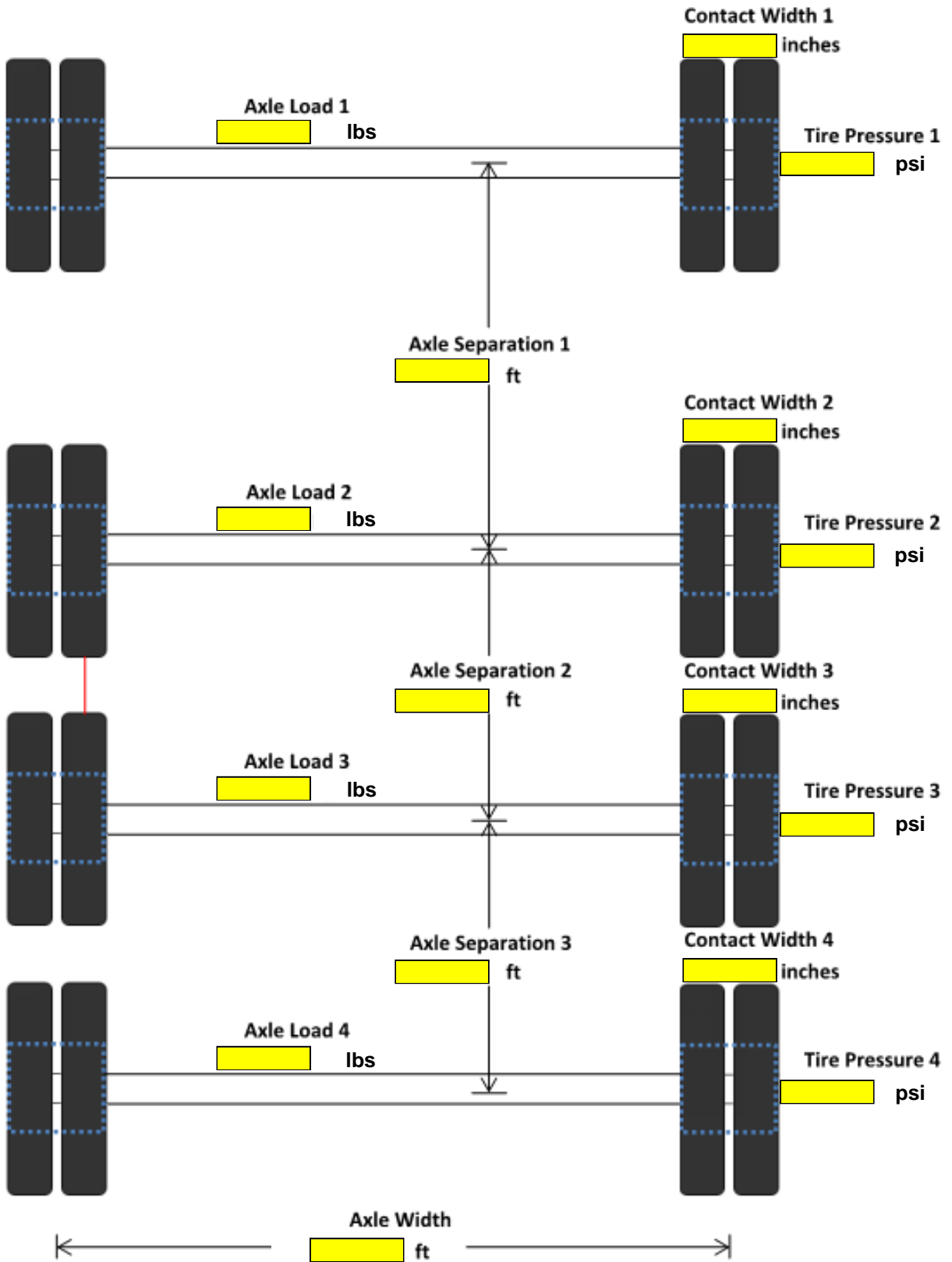
VEHICLE INFORMATION:	
VEHICLE TYPE:	Wheel: 3-Axles, 6-Wheels



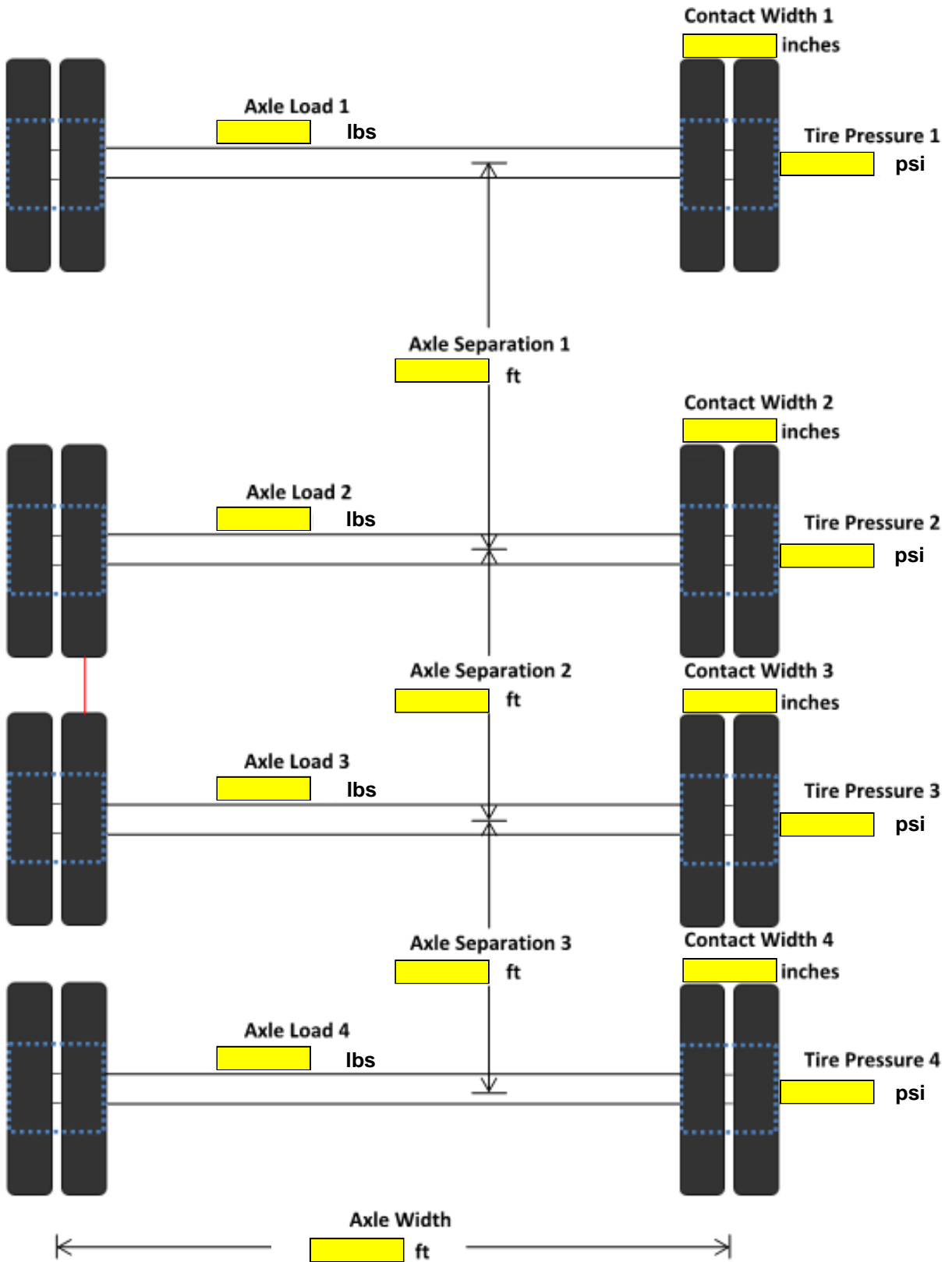
VEHICLE INFORMATION:	
VEHICLE TYPE:	Wheel: 4-Axles, 16 Wheels



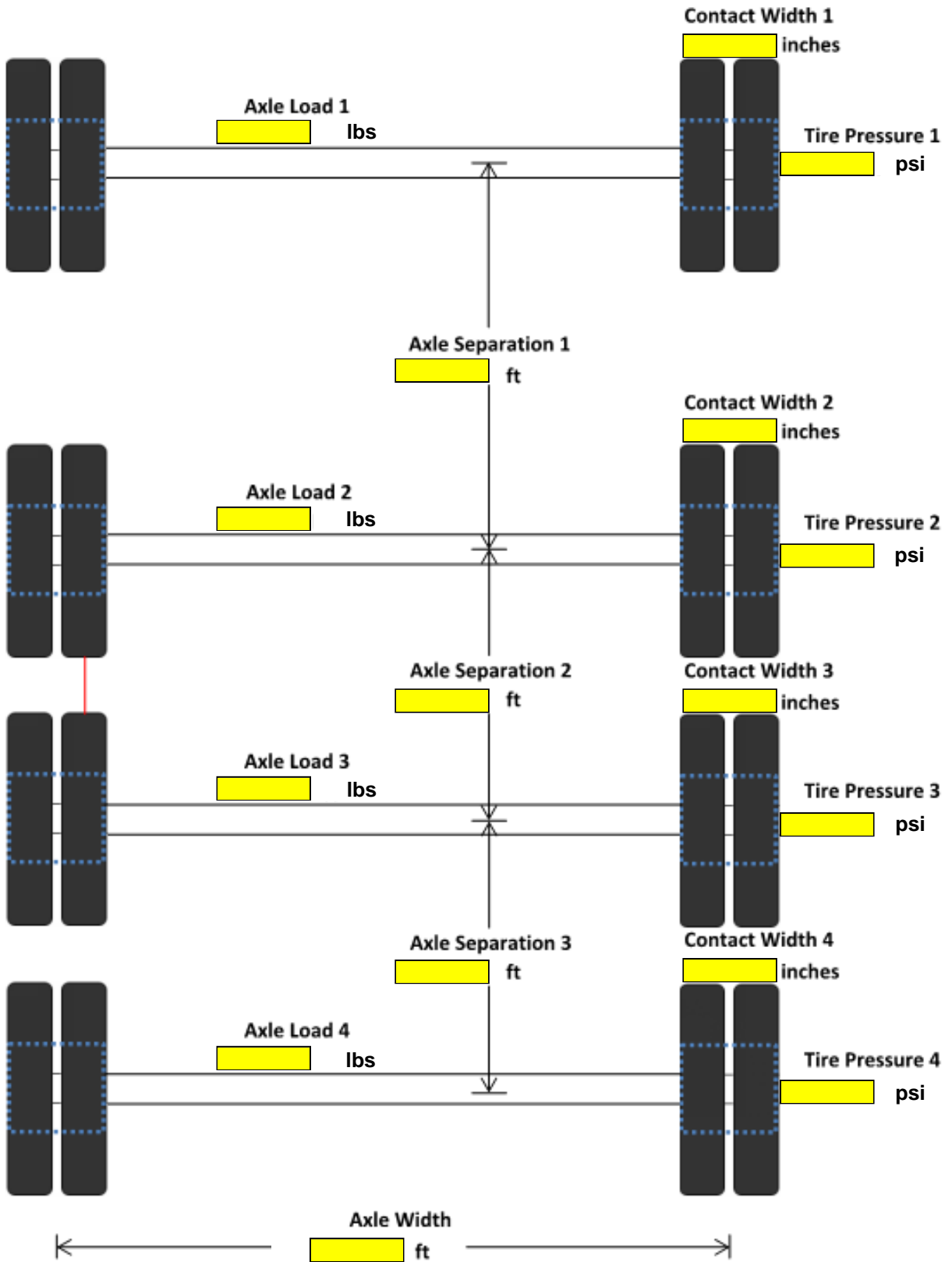
VEHICLE INFORMATION:	
VEHICLE TYPE:	Wheel: 4-Axles, 16 Wheels



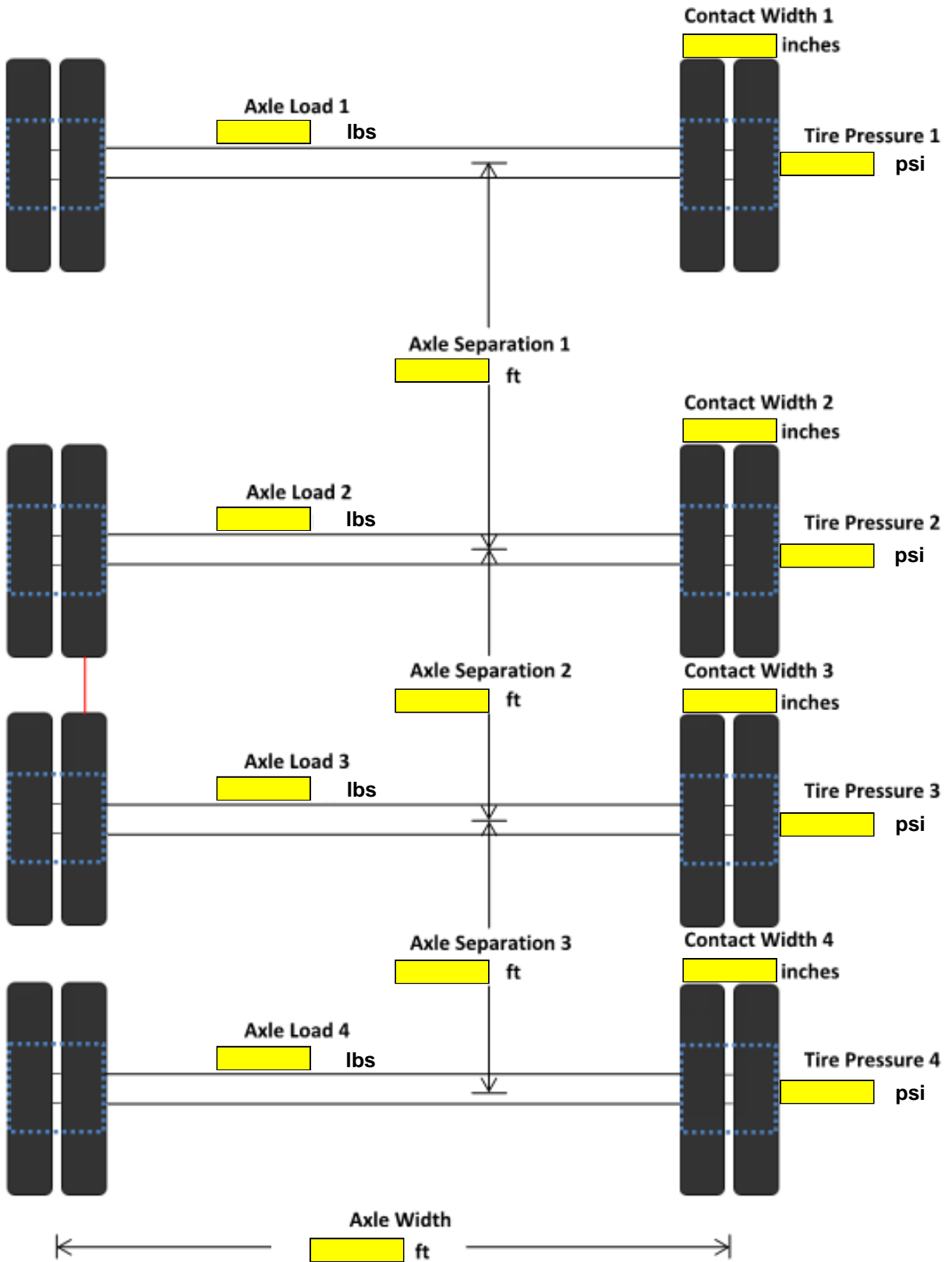
VEHICLE INFORMATION:	
VEHICLE TYPE:	Wheel: 4-Axles, 16 Wheels



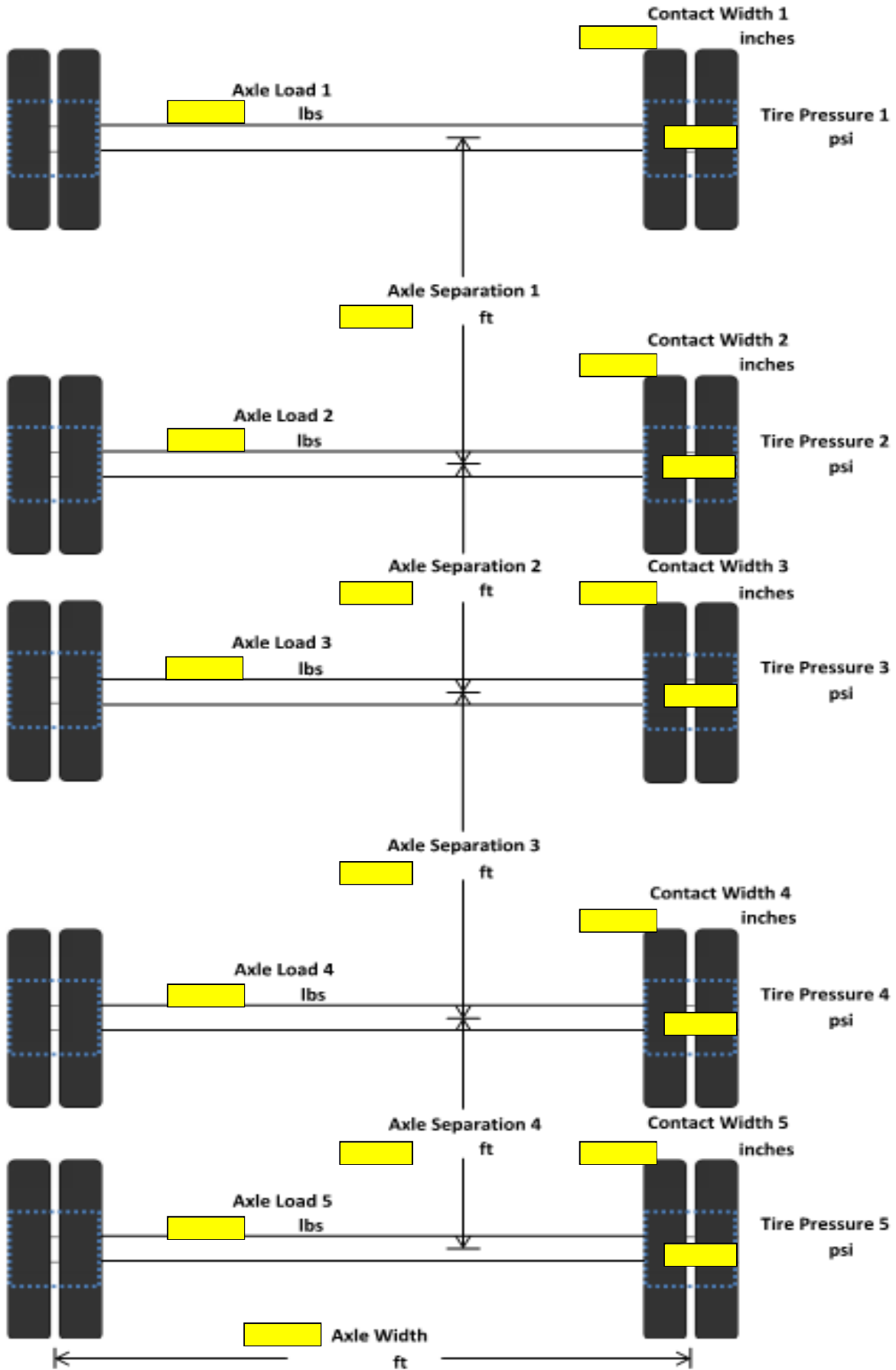
VEHICLE INFORMATION:	
VEHICLE TYPE:	Wheel: 4-Axles, 16 Wheels



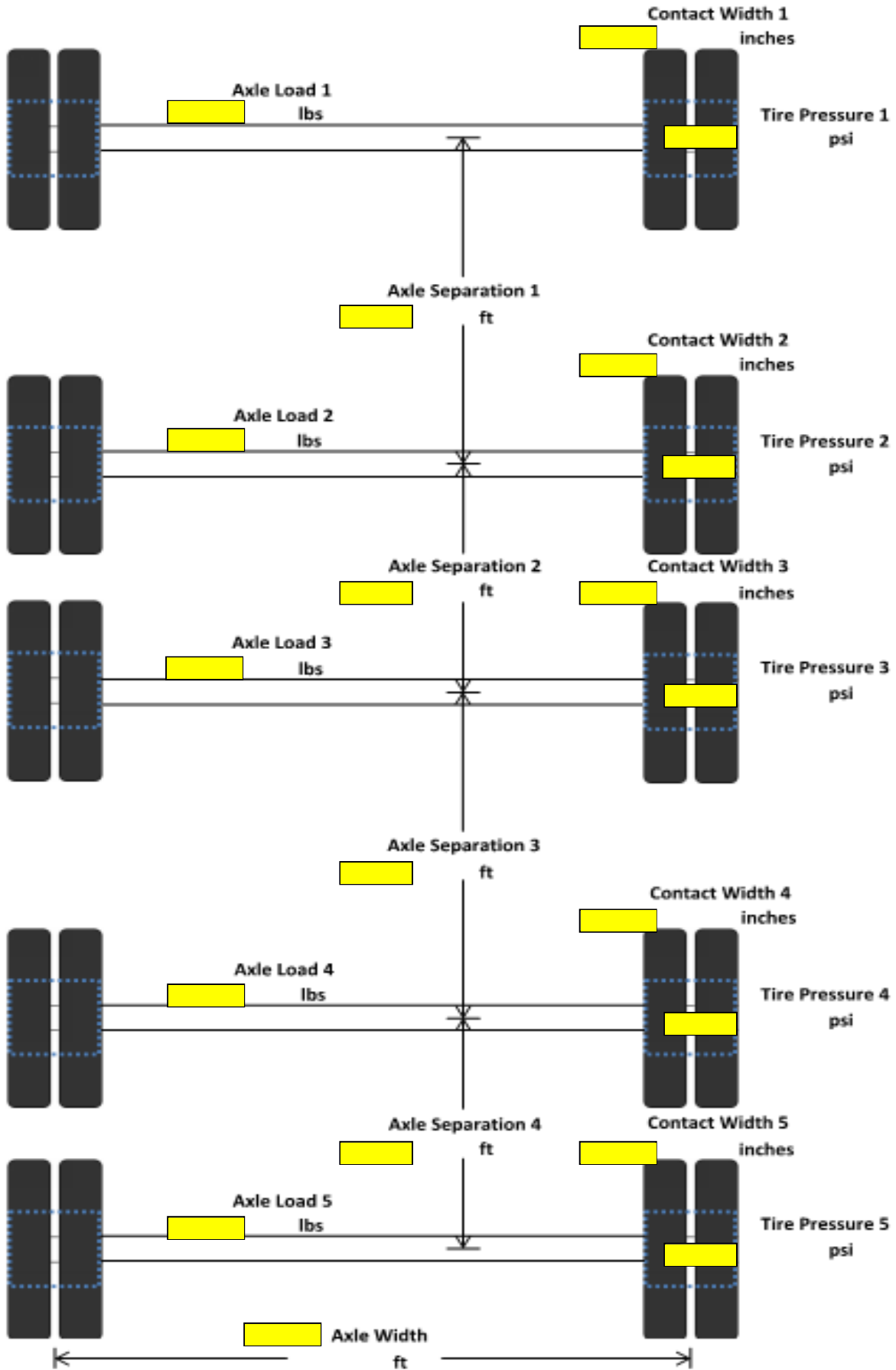
VEHICLE INFORMATION:	
VEHICLE TYPE:	Wheel: 4-Axles, 16 Wheels



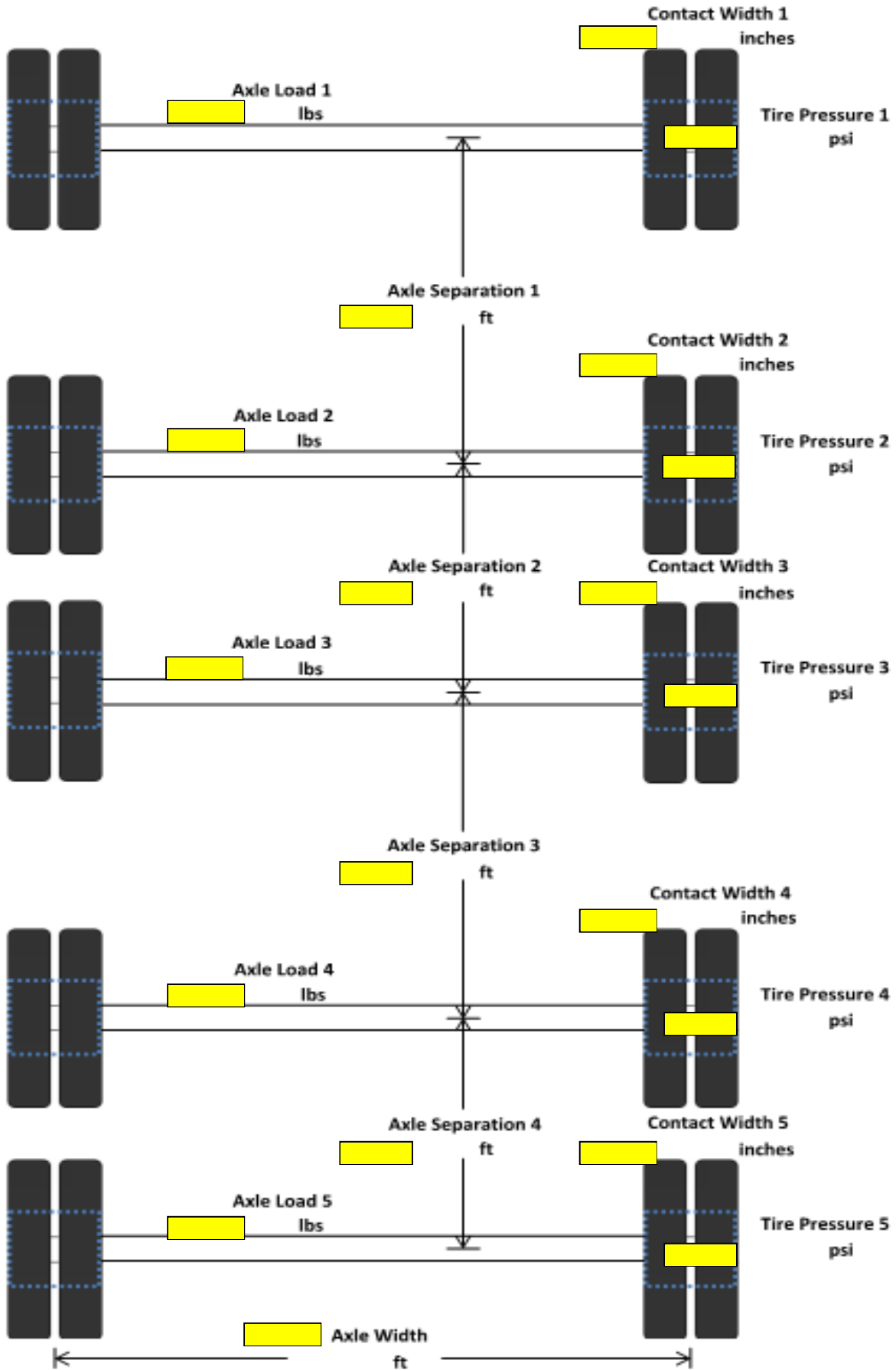
VEHICLE INFORMATION:	
VEHICLE TYPE:	Wheel: 5-Axles, 20 Wheels



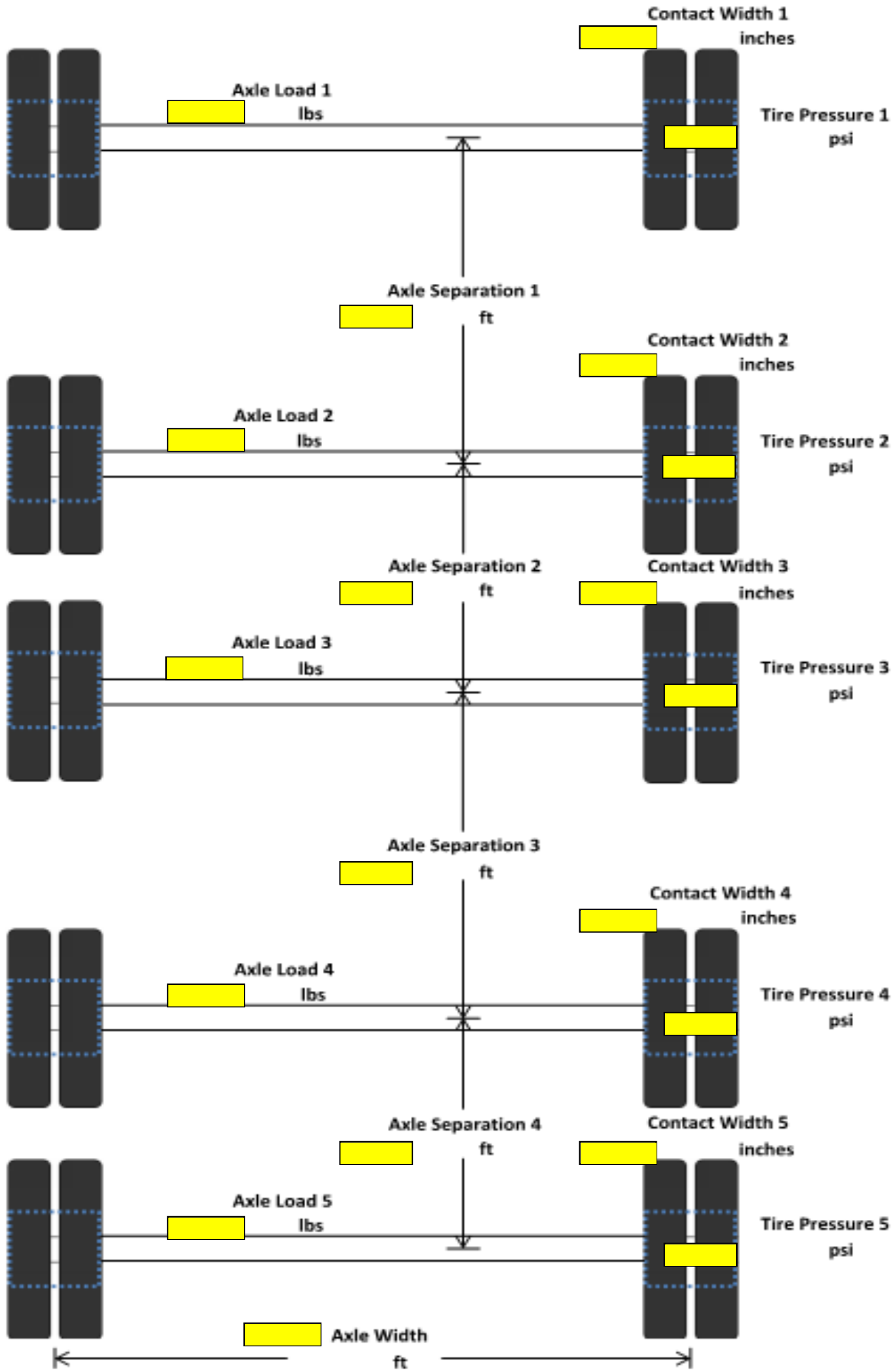
VEHICLE INFORMATION:	
VEHICLE TYPE:	Wheel: 5-Axles, 20 Wheels



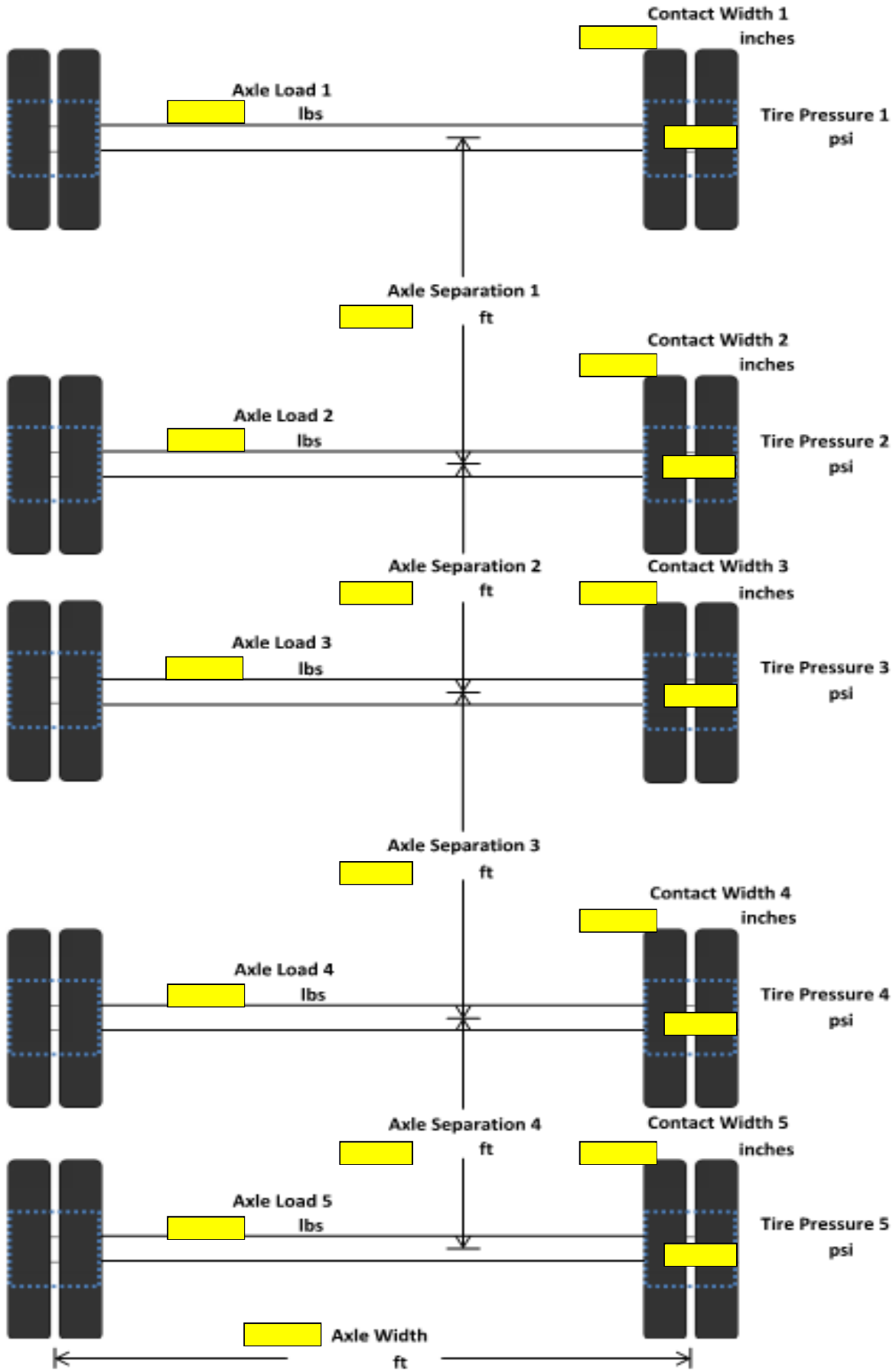
VEHICLE INFORMATION:	
VEHICLE TYPE:	Wheel: 5-Axles, 20 Wheels



VEHICLE INFORMATION:	
VEHICLE TYPE:	Wheel: 5-Axles, 20 Wheels

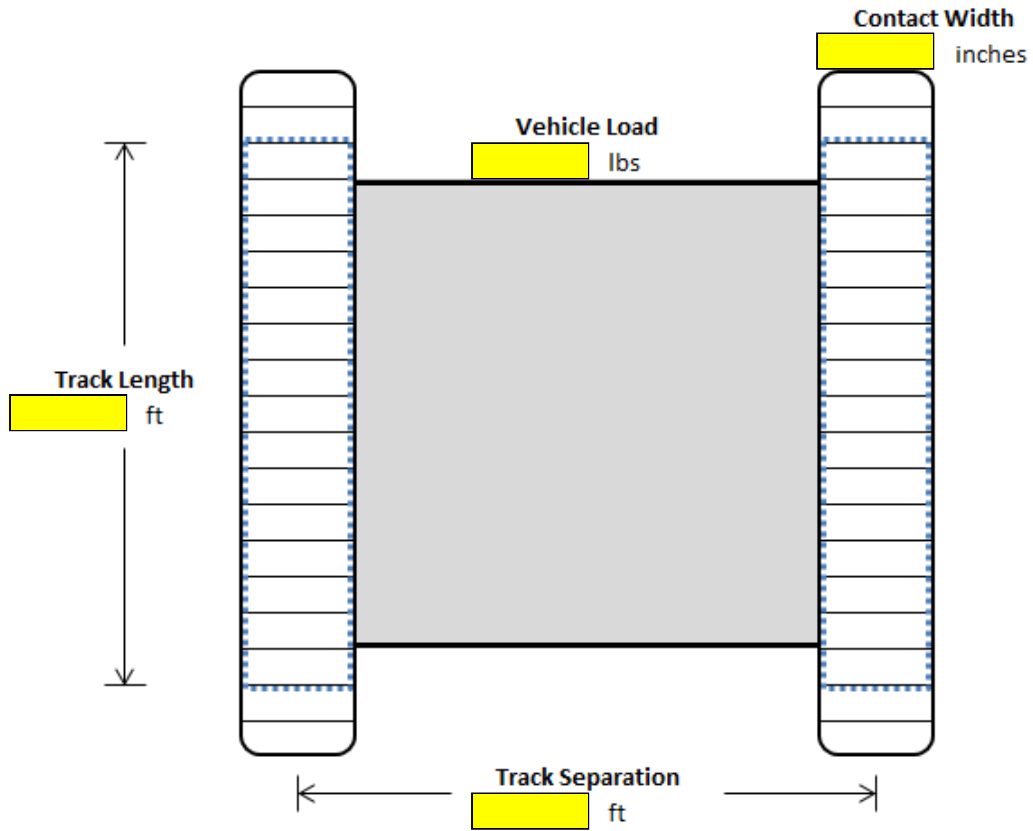


VEHICLE INFORMATION:	
VEHICLE TYPE:	Wheel: 5-Axles, 20 Wheels



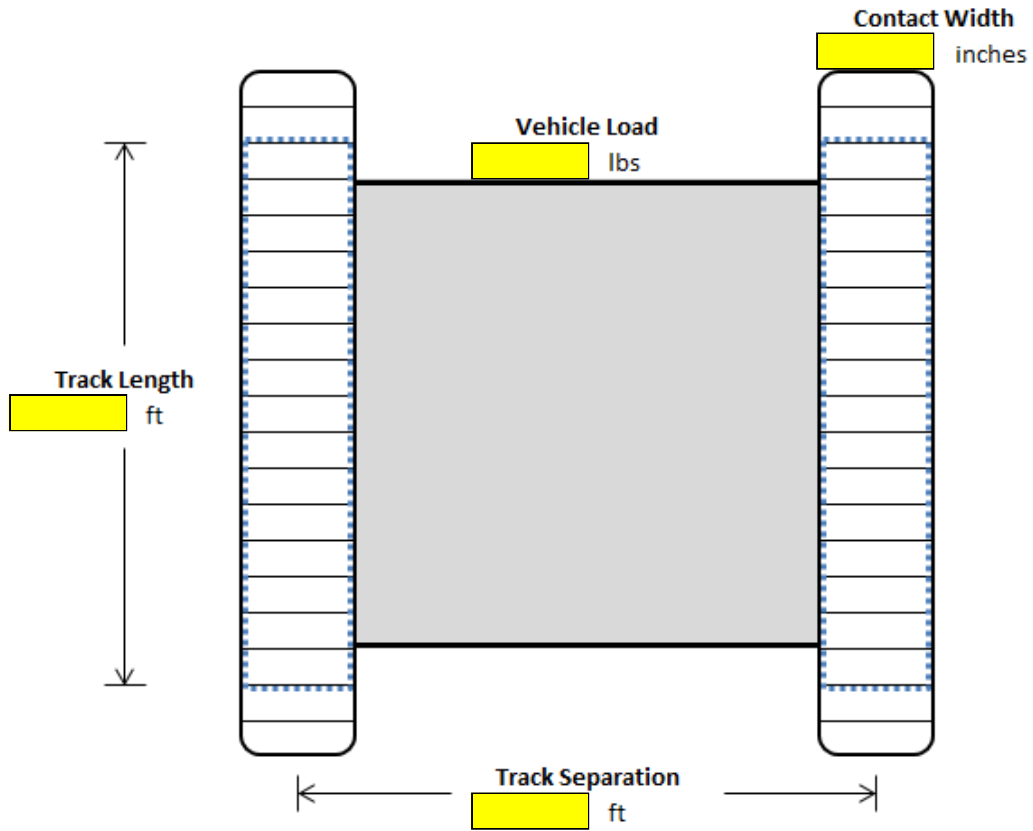
Input for Surface Vehicle Live Load

VEHICLE INFORMATION:	
VEHICLE TYPE:	Track



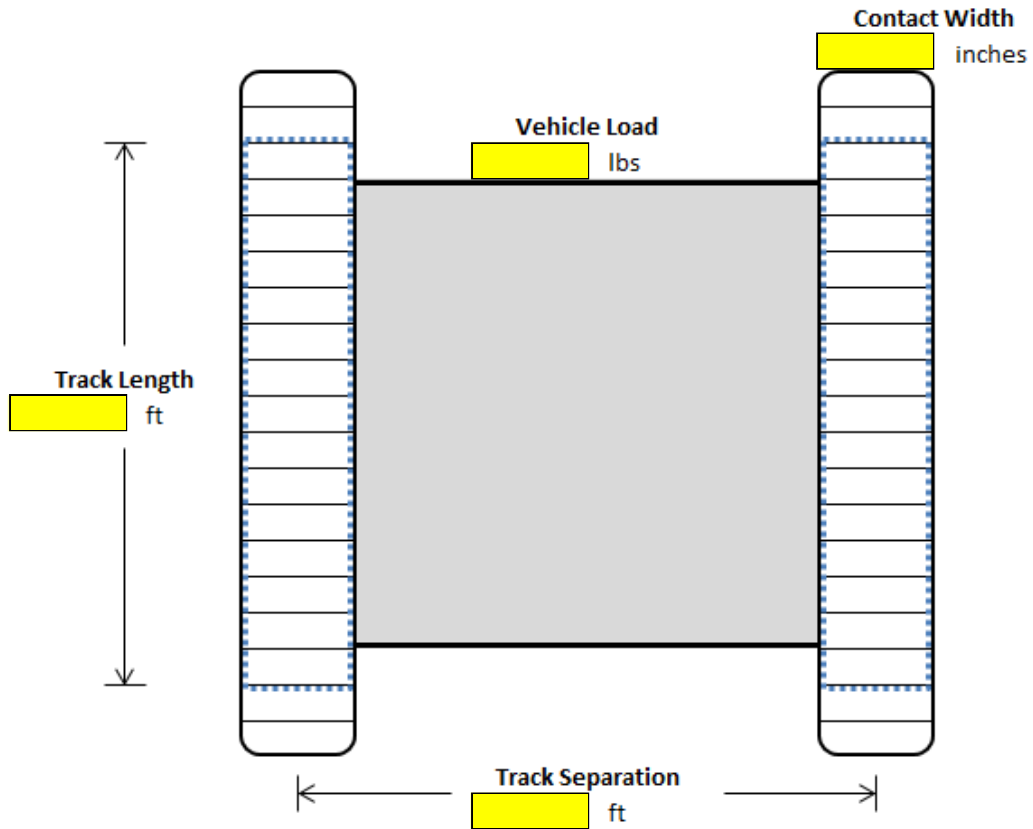
Input for Surface Vehicle Live Load

VEHICLE INFORMATION:	
VEHICLE TYPE:	Track



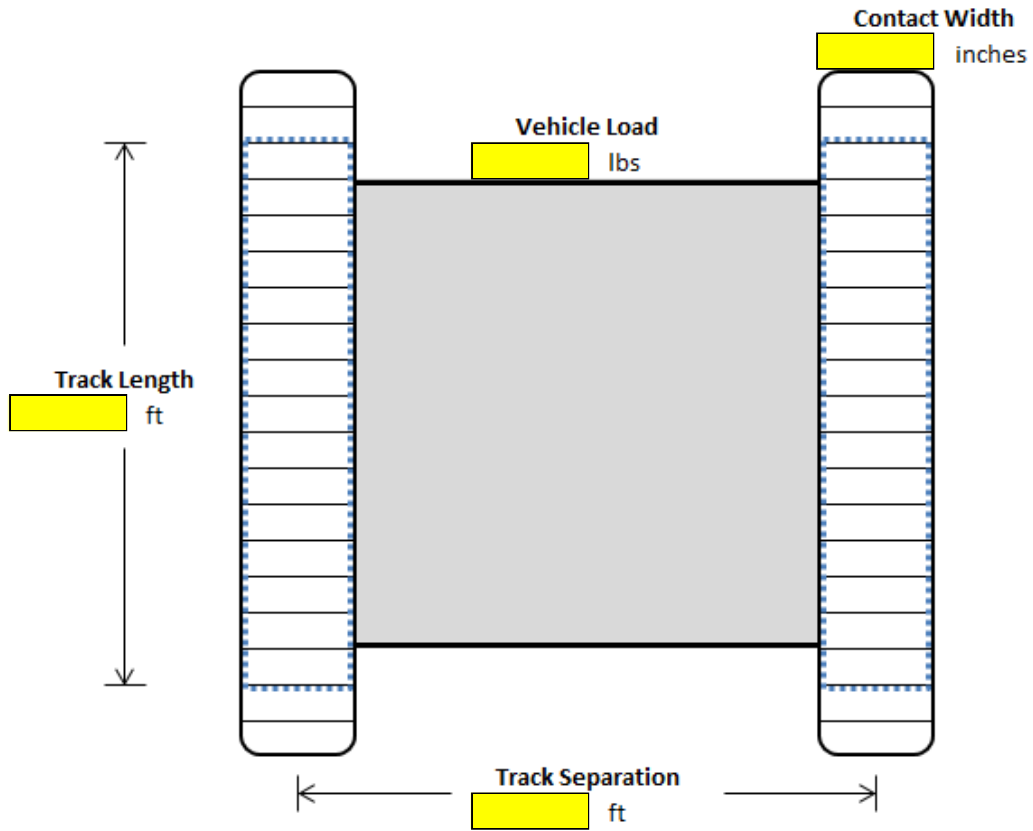
Input for Surface Vehicle Live Load

VEHICLE INFORMATION:	
VEHICLE TYPE:	Track



Input for Surface Vehicle Live Load

VEHICLE INFORMATION:	
VEHICLE TYPE:	Track



Input for Surface Vehicle Live Load

VEHICLE INFORMATION:	
VEHICLE TYPE:	Track

